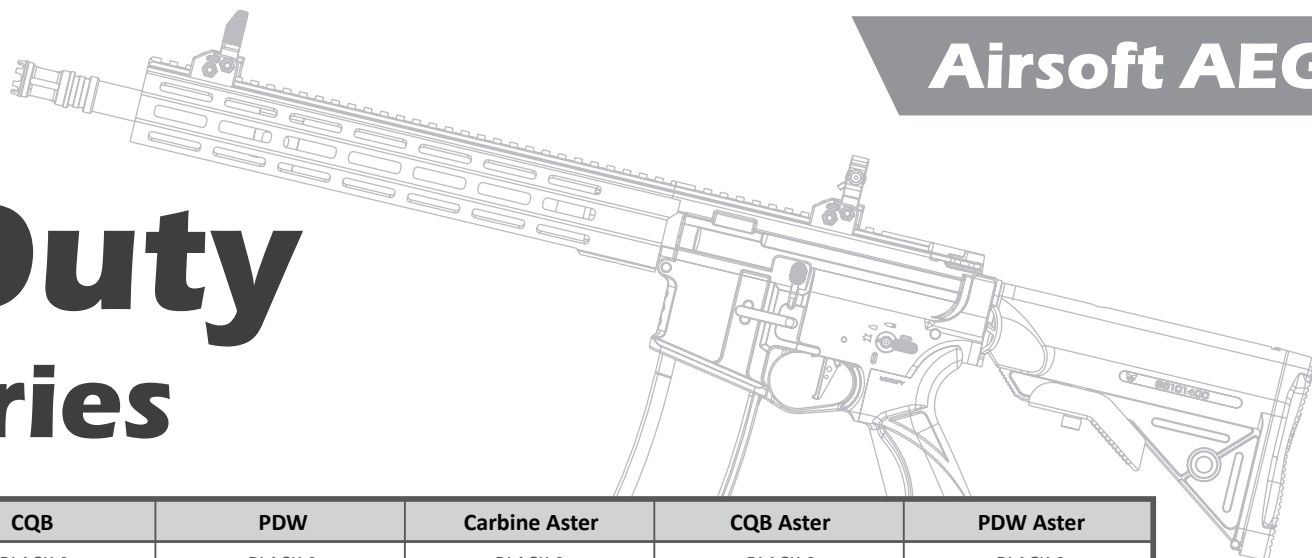




2023 NEW PRODUCTS



XtremeDuty AR-15 series



	Carbine	CQB	PDW	Carbine Aster	CQB Aster	PDW Aster
Major Color	BLACK ●	BLACK ●	BLACK ●	BLACK ●	BLACK ●	BLACK ●
Weight	2.6 kg	2.5 kg	2.4 kg	2.6 kg	2.5 kg	2.4 kg
Overall	804 mm	678 mm	590 mm	804 mm	678 mm	590 mm
Overall (Extended)	889 mm	763 mm	675 mm	889 mm	763 mm	675 mm
Inner Barrel Length	363 mm	257 mm	205 mm	363 mm	257 mm	205 mm
Inner Barrel Caliber	6.1 mm	6.1 mm	6.1 mm	6.1 mm	6.1 mm	6.1 mm
Pellet Type	6 mm BB	6 mm BB	6 mm BB	6 mm BB	6 mm BB	6 mm BB
Magazine Capacity	190 rounds	190 rounds	190 rounds	190 rounds	190 rounds	190 rounds
Shooting Mode	Full Auto, Semi Auto and Safety (45° Safety Selector)					
GATE ETU	X	X	X	Standard	Standard	Standard
End Cap	14 mm-CCW	14 mm-CCW	14 mm-CCW	14 mm-CCW	14 mm-CCW	14 mm-CCW
Gear Set	16.32:1 (Speed)	16.32:1 (Speed)	16.32:1 (Speed)	16.32:1 (Speed)	16.32:1 (Speed)	16.32:1 (Speed)
Muzzle Velocity (Adjustable)	Step 1 : 360 fps Step 2 : 394 fps	Step 1 : 337 fps Step 2 : 370 fps	335 ± 10 fps	Step 1 : 360 fps Step 2 : 394 fps	Step 1 : 337 fps Step 2 : 370 fps	335 ± 10 fps
	Japan version : Step 1 : 278 fps Step 2 : 315 fps	Japan version : Step 1 : 280 fps Step 2 : 302 fps	Japan version : 280 ± 10 fps	Japan version : Step 1 : 278 fps Step 2 : 315 fps	Japan version : Step 1 : 280 fps Step 2 : 302 fps	Japan version : 280 ± 10 fps
Battery	<ul style="list-style-type: none"> • Carbine/CQB/PDW: 7.4v / 11.1v Li-po recommended (Battery not included; wired to the stock with a T-Plug.) • Velocity under 1 Joule: 7.4v 1000mAh Small PEQ Type Li-Po recommended (Battery not included; wired to the stock with a T-Plug.) 					



65103-01

XtremeDuty AR-15 Carbine



CNC machined Steel Flash Hider

Functional Folding Sight Set

Easy Dial Adjustment Hop Up System

- Flat Hop Up Bucking

Functional bolt catch

- Locking bolt and bolt release

Newly-enhanced Modify REBAR Gearbox Set

- Steel High Speed Gear
- Ver.2 Steel Gear Set Compatible
- 8mm Bearings
- Steel Rib
- 10 Metal Teeth High Speed/ Torque Ultra Piston
- Upgrades Piston Head, Cylinder, Cylinder Head
- Modify MPI (Minimum Power Intake) torque motor

45° Safety Selector

Tactical Rail System

- RIS Picatinny Rail
- 13.5" High Grade Aluminum M-LOK Handguard
- 3-Point Fixed Ring
- CNC machined 14.5" Outer Barrel
- 6.1mm Extreme Straight Precision Brass Inner barrel

Full aluminum billet style upper and lower receiver

Enhanced Polymer 190rds Mid-Cap Magazine

- Light weight Enhanced Polymer Magazine
- High efficiency compression spring

Steel Straight Trigger

Ergonomic Grip

6-position Adjustable Crane Stock

Aster

GATE ASTER Electronic Trigger Unit Ver.2 (Optional)

65103-11



65103-21

XtremeDuty AR-15 CQB

CNC machined Steel Flash Hider

Functional Folding Sight Set

Easy Dial Adjustment Hop Up System

- Flat Hop Up Bucking

Functional bolt catch

- Locking bolt and bolt release

Newly-enhanced Modify REBAR Gearbox Set

- Steel High Speed Gear
- Ver.2 Steel Gear Set Compatible
- 8mm Bearings
- Steel Rib
- 10 Metal Teeth High Speed/ Torque Ultra Piston
- Upgrades Piston Head, Cylinder, Cylinder Head
- Modify MPI (Minimum Power Intake) torque motor

45° Safety Selector

Tactical Rail System

- RIS Picatinny Rail
- 9.3" High Grade Aluminum M-LOK Handguard
- 3-Point Fixed Ring
- CNC machined 10.3" Outer Barrel
- 6.1mm Extreme Straight Precision Brass Inner barrel

Full aluminum billet style upper and lower receiver

Enhanced Polymer 190rds Mid-Cap Magazine

- Light weight Enhanced Polymer Magazine
- High efficiency compression spring

Steel Straight Trigger

Ergonomic Grip

6-position Adjustable Crane Stock

- Quick Spring-change system
- FPS Adjustable
- Ergonomic Stock Design
- Universal Type
- Built-in Ambidextrous QD Sling Adapter
- Triple-space for battery setting
- Build-in T plug

Aster

GATE ASTER Electronic Trigger Unit Ver.2 (Optional)

65103-31

65103-41

XtremeDuty AR-15 PDW

CNC machined Steel Flash Hider

Functional Folding Sight Set

Easy Dial
Adjustment Hop Up System

- Flat Hop Up Bucking

Functional bolt catch

- Locking bolt and bolt release

Newly-enhanced Modify
REBAR Gearbox Set

- Steel High Speed Gear
- Ver.2 Steel Gear Set Compatible
- 8mm Bearings
- Steel Rib
- 10 Metal Teeth High Speed/ Torque Ultra Piston
- Upgrades Piston Head, Cylinder, Cylinder Head
- Modify MPI (Minimum Power Intake) torque motor

45° Safety Selector

Tactical Rail System

- RIS Picatinny Rail
- 7" High Grade Aluminum M-LOK Handguard
- 3-Point Fixed Ring
- CNC machined 7.5" Outer Barrel
- 6.1mm Extreme Straight Precision Brass Inner barrel

Full aluminum billet style
upper and lower receiver

Enhanced Polymer
190rds Mid-Cap Magazine

- Light weight Enhanced Polymer Magazine
- High efficiency compression spring

Steel Straight Trigger

Full Metal Stock Set

- VERT Adjustable Stock
- Quick Change Spring
- Ergonomic Stock Design
- Build-in T plug

Ergonomic Grip

ASTER

GATE ASTER Electronic Trigger Unit Ver.2 (Optional)

65103-51



XTC CQB-M

65101-91

Aster

65101-92



M-LOK Handguard

WEIGHT (without mag)	2.5 kg
LENGTH	678 mm/763 mm(extended)
BARREL LENGTH	257 mm
BARREL CALIBER	6.1 mm
SHOOTING MODE	Full Auto, Semi Auto and Safety
MAGAZINE	190 rounds
COLOR	BLACK
PELLET TYPE	6 mm BB
INITIAL SPEED (Normal)	Step 1 : 337 fps Step 2 : 370 fps



Steyr Elite

65203-12

65203-02

Elite (Grey)

Elite (Black)

TDC Wheel Hop-Up Adjustment

Extra-long Picatinny rail

Enlarged Bolt handle

Bull Barrel and Muzzle Cap with 14mm CCW

Adjustable Cheek Piece and Butt Plate

Integrated Bipod





Steyr Elite

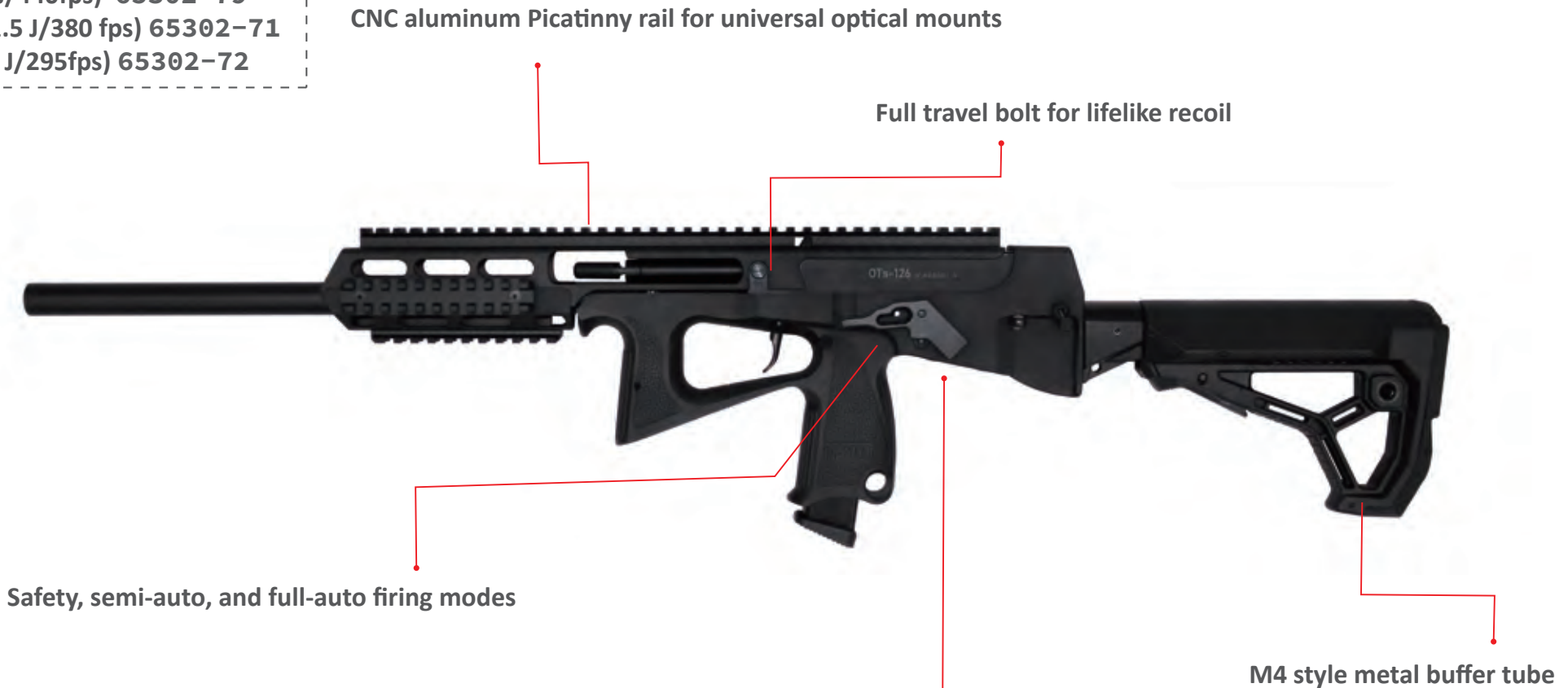
WEIGHT (without mag)	3.1 kg
LENGTH	1090 mm
BARREL LENGTH	450 mm
BARREL CALIBER	6.03 mm
HOP UP ADJUSTMENT	TDC
MAGAZINE	32 rds
COLOR	BLACK
PELLET TYPE	6 mm BB
INITIAL SPEED (Normal)	460 FPS (130 m/s)



OTs-126

High (<2.0 J/440fps) 65302-79
Normal (<1.5 J/380 fps) 65302-71
Low (<0.95 J/295fps) 65302-72

Based on the classic Russian OЦ-126, the OTs-126 is a transform version that shares the same platform as the PP-2K.



CNC aluminum Picatinny rail for universal optical mounts

Full travel bolt for lifelike recoil

Safety, semi-auto, and full-auto firing modes

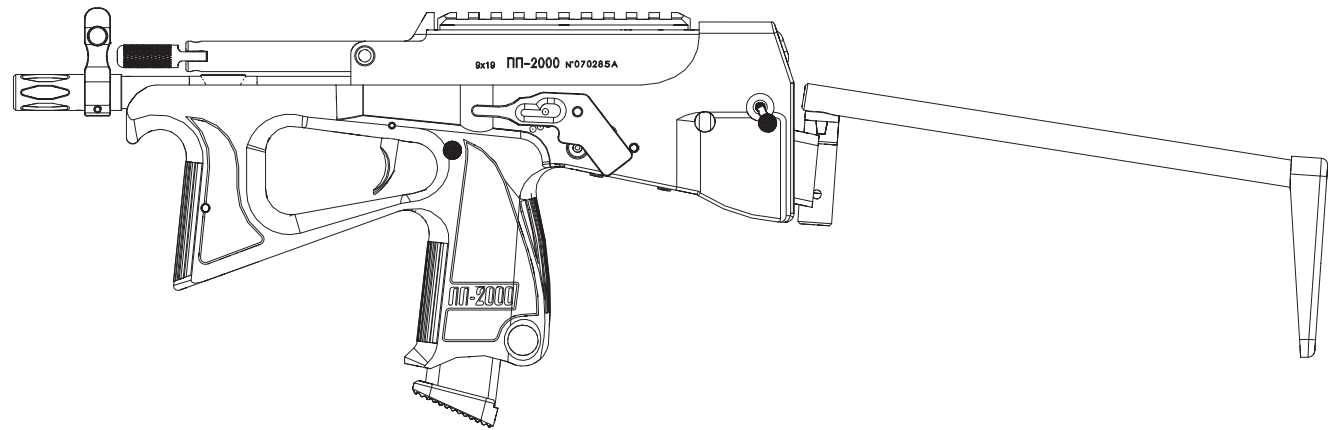
M4 style metal buffer tube

CNC aluminum OTs-126 conversion kit
Extra tough inner parts handle both CO2/Gas magazines
460mm inner barrel and X-range bucking out of the box



PP-2000

65302-91



Weight(without mag)	1.3 KG
Length (Retracted)	370 mm
Length (Extended)	590 mm
Inner Barrel Length	150 mm
Inner Barrel Diameter	6.03 mm
Magazine Capacity	22 rds
Major Color	BLACK
Caliber	6 mm BB
Velocity (2 models)	260-310 fps(80-95 m/s)
	295-330 fps(90-100 m/s)
Operating Temperature	20~25°C 68~77°F

The full PP-2000 package includes:

1. GBBR PP-2000 with 100% aluminum receiver completed with engraving (Black)
 2. Gas Magazine 56rds x1, Gas Magazine 22 rds x1 , Gun box x1
 3. Comes with the newest Ver.2 PP-2K bolt and loading nozzle kit
- * Extra tough inner parts handle both CO2/Gas magazines

Brand new Receiver lettering



PP-2K & OTs-126



65302760

OTs-126 Conversion Kit (blk)



65302720

*PP-2K Flashlight Set
(With Flashlight Ring Mount)*



65302300

*PP-2K Gas
Magazine - 22rds*



65302320

*PP-2K Gas
Magazine - 56rds*



65302740

*PP-2K Tactical Holster
(with Quick Release)*



65302700

PP-2K Suppressor- 14 CCW



65302350

*PP-2K CO2
Magazine - 22rds*



65302360

*PP-2K CO2
Magazine - 56rds*



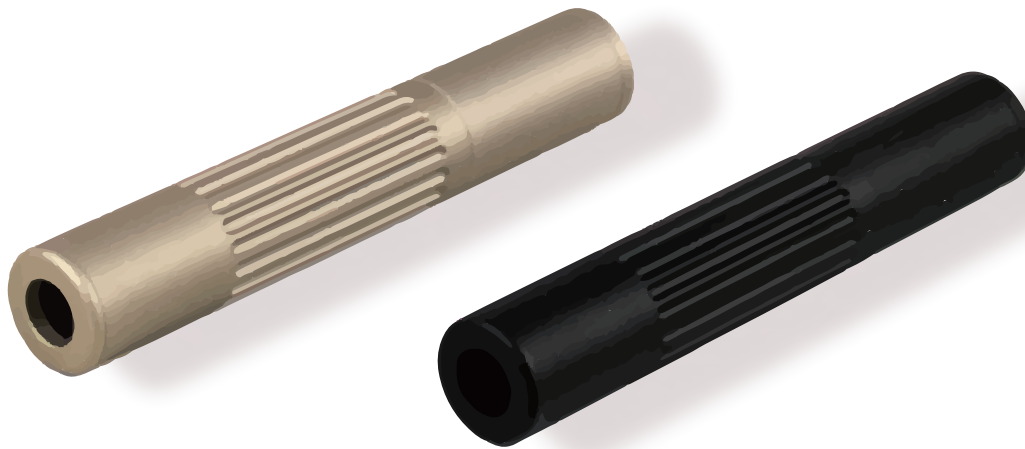
OBserver Tracer Compatible Over-Barrel Mock Suppressor

BLK

66101010

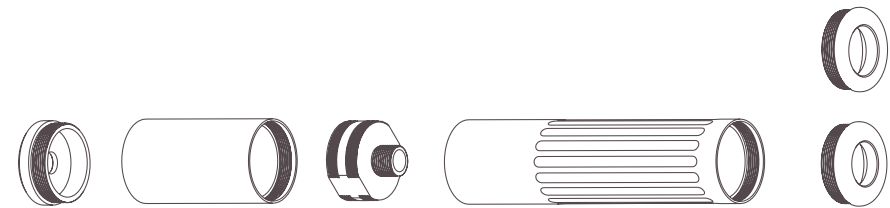
TAN

66101020



- Easy interchangeability of over-barrel suppressor
- CNC machined aluminum alloy
- Durable and lightweight construction
- Covers and protects outer barrel or extended inner barrel to the suppressor
- Available with a built-in tracer (<28mm dia.)
- 14 mm inside thread of CCW and 14 mm external threads of CCW of the adaptor
- Black/Tan anodized coating and sandblasted
- The foam rings are sound-studio quality
- For airsoft only (won't work on real firearms)

Content



front cap, short tube, adaptor, long tube, rear end cap (x2 size).



66204306

Modify Air Brake Kit for MOD24/SSG24 series



66207012

**Irregular-Pitch Spring
for MOD24/ SSG24/ APS-2 - M135 (9mm)**



65202132

MOD24/SSG24 Predator Aluminum Hop up arm

Predator Hop Up Bucking for MOD24 / SSG24



**66209313
(60 DEG.)**



**66209314
(70 DEG.)**



**66209315
(50 DEG.)**



66209316

Modify Double H-Nub (2 hardness, 2 pcs/ set)



SSX 6.03mm Stainless Steel Precision Inner Barrel

- 66305122** **85 mm for KJW G19/G23 Gas Blowback Pistol**
- 66305124** **97 mm for Marui G17/G18C/P226/Hi-Capa 4.3 Gas Blowback Pistol**
- 66305127** **113 mm for Marui Hi-Capa 5.1/MEU/M1911 Gas Blowback Pistol**
- 66305129** **133 mm for Marui SOCOM Mk23 Gas Blowback Pistol**
- 66305132** **146 mm for TM MP7A1 GBB**
- 66305133** **150 mm for Marui SOCOM Mk23**



- GB033400** **J-caged Hybrid Ceramic Ball Bearing 8mm (6pcs)**
- GB033900** **J-caged Steel Ball Bearing 8mm (6pcs)**



- 65101929** **Anti-reversal Latch V2 for Xtreme Duty AR-15 and XTC**



65202055

Modify Warface Suppressor 14mm CCW



GB096101

**New Quantum Gear Set (16.32:1) for
Ver.2/Ver.3/Ver.6 Gearbox (with Spring Guide Spacer + Special Tappet Ver. 2)**

GB096701

New Quantum Two-Sector Gear for Ver.2/Ver.3/Ver.6

Modify Predator Hop up bucking for AEG



66109001

(50 DEG.)



66109002

(60 DEG.)